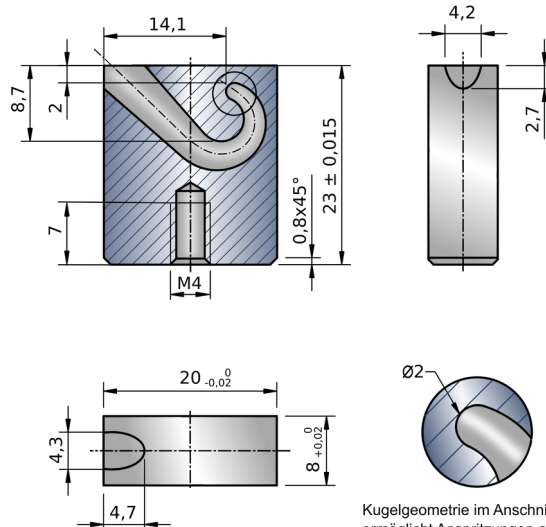
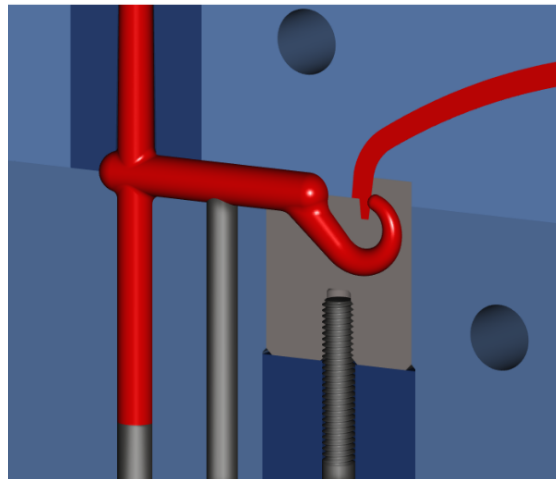


## Installation: Ringelflow® - GRF-5

### Ringelflow® - GRF-5 benefits

- Optimum solution to prevent jetting.
- No gate marks on visible external surfaces and bottom wall.
- Ideal for fully rounded edges (e.g., toys, mouldings with sealing edges and joints).
- Permits internal gating of 2-component mouldings.



Kugelgeometrie im Anschnittbereich ermöglicht Anspritzungen an seitlich geneigten oder gewölbten Flächen.

The spherical geometry in the gate area permits gating on inclined or curved surfaces.

